

Banshee Excel™ FlashDome Beacon

The Banshee Excel™ FlashDome features ultra-efficient LEDs and is ideal for use as a supplementary indicator in alarm systems.

The FlashDome is 100% compatible with the rest of the Excel Sounder and Sounder Beacon range and utilises the same shallow and deep bases and broad range of accessories.

Features

- Ultra-efficient LEDs
- Very low current consumption
- Sleek, low-profile design
- Compatible with other Excel Sounders and Sounder Beacons and accessories
- Uses same bases as BansheeMT - simple push and twist bayonet mounting with locking screw



Specification

Operating Voltage (Vdc):	10-28
Flash Current Consumption (mA):	7
Body Colours:	Red
Lens Colour (Polycarbonate):	Red
Temperature Range (Deg C):	-20 to +70
Environment Category / IP Rating:	Type A/IP45 Std Base Type B/IP66 Deep Base

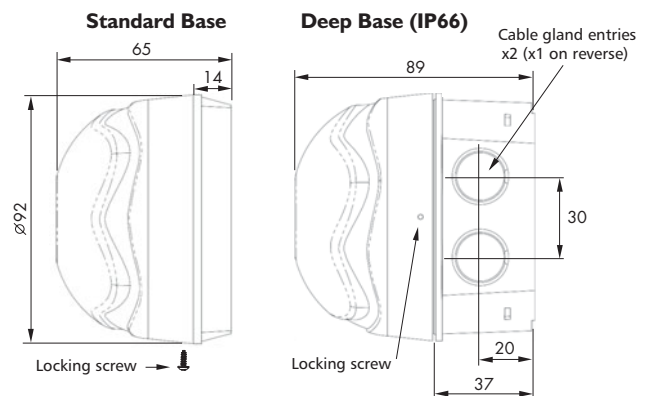
Part Numbers

- 8582100: FlashDome - LED Beacon, Red
- 8582101: FlashDome - LED Beacon, Red, Deep Base IP66

Installation

Dimensions (mm)

Banshee Excel™ Flashdome Beacon



Banshee Excel™ Common Base

